

**MAGNETIC AUTOCONTROL GMBH**



Grienmatt 20, 79650 Schopfheim  
 Phone 07622 695-5, Fax 07622 695-800  
 E-Mail info@magnetic-germany.com  
 www.magnetic-access.com



Document number

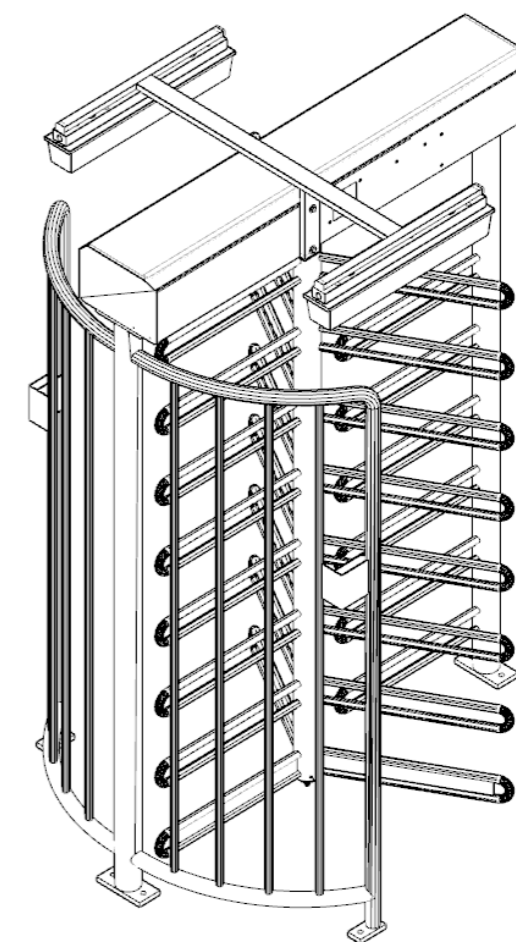
5527\_0009

Type

MPT-333  
 for Center column 3x120° and 4x90°

MPT single lane with the options:

- GED
- Continuous lighting
- Lighting with twilight switch



Number of pages 14

05	28.04.2021	TO	7E19623	Date of creation	16.01.2019
06	22.01.2024	TO	MEC02924	Creator	TO
07	11.03.2024	TO	MEC06624	Verifier	
Version	Date	Name	Modification project	P. Number	7K17511

5527\_0009 MPT-333

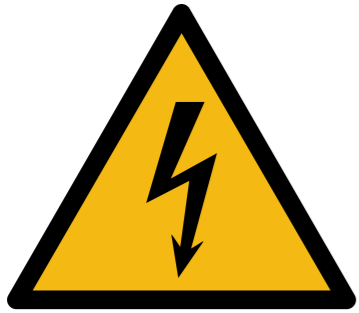


title page

=	++	& EAA
		Title page/cover sheet
5527_0009	+	Page 1
		from 14

# GENERAL SAFETY NOTES

## GENERAL SAFETY NOTES



**Only electricians must carry out work on the electrical system.**

**Non-observance of the safety instructions causes severe injuries or death.**

**Touching live parts can be lethal. Damaged insulation or damaged parts may be fatal.**

The following safety instructions must be observed:

- If the insulation or any parts are damaged, switch off the power supply at once and initiate repair.
- Switch off the power supply before conducting any work on the electrical system, secure against reactivation and check that no voltage is pending!
- Never bridge any fuses or deactivate them. Observe correct current indications when replacing them.
- Moisture and dust must be kept away from live parts, ingressing moisture or dust may lead to short circuit.
- If the electrical connection is established at precipitation, e.g. rain or snow, penetration of moisture must be prevented by suitable measures, such as a protective cover.
- Electrical protective devices that are required according to nationally applicable provisions, such as residual-current device (RCD) / ground fault circuit interrupter (GFCI), must be provided and installed on site.
- All doors and covers must be kept closed during operation of the system.
- All instructions, warning and safety notes on the operating instructions for the system must be observed.
- All instructions, warning and safety notes on the integrated and attached accessories must be observed.
- If lightning strikes the system, there is danger to life when touching any components and when staying in the direct proximity.

05	28.04.2021	TO	7E19623	Date of creation	16.01.2019
06	22.01.2024	TO	MEC02924	Creator	TO
07	11.03.2024	TO	MEC06624	Verifier	
Version	Date	Name	Modification project	P. Number	7K17511

5527\_0009 MPT-333

**MAGNETIC**  
ACCESS TO PROGRESS

safety instructions

=	++	& EAA
		Title page/cover sheet
5527_0009	+	Page 2
		from 14

# Table of contents

assignment	Page	Page description	Date	Edited by
	1	title page	11.03.2024	TO
	2	safety instructions	11.03.2024	TO
	3	Table of contents	11.03.2024	TO
	4	Structure identifier	11.03.2024	TO
	5	System Overview	11.03.2024	TO
	6	System Overview	11.03.2024	TO
	7	System Overview	11.03.2024	TO
	8	System Overview	11.03.2024	TO
+A1 ,Default	9	mains supply	11.03.2024	TO
	10	controller	11.03.2024	TO
	11	options	11.03.2024	TO
	12	options	11.03.2024	TO
	13	parts list	11.03.2024	TO
	14	parts list	11.03.2024	TO

05	28.04.2021	TO	7E19623	Date of creation	16.01.2019
06	22.01.2024	TO	MEC02924	Creator	TO
07	11.03.2024	TO	MEC06624	Verifier	
Version	Date	Name	Modification project	P. Number	7K17511

5527\_0009 MPT-333



Table of contents

=	++	& EAB
		Table of contents
5527_0009	+	Page 3
		from 14

## Structure identifier overview

Structure identifier	Labeling	Structure description
&EAA	Document type	Title page/cover sheet
&EAB	Document type	Table of contents
&EDB	Document type	Structure identifier
&ETL	Document type	Overview / Layout
&EFA	Document type	Schematic diagram
&EFS	Document type	Schematic
&EPA	Document type	Parts list
&EMA1	Document type	Terminal line-up diagram
&EMA2	Document type	Connection list
&EMB	Document type	Cable diagram

+A1	Location identifier	Default
+B1	Location identifier	Lighting with twilight switch
+B2	Location identifier	Permanent light
+C1	Location identifier	Passage indicator

05	28.04.2021	TO	7E19623	Date of creation	16.01.2019
06	22.01.2024	TO	MEC02924	Creator	TO
07	11.03.2024	TO	MEC06624	Verifier	
Version	Date	Name	Modification project	P. Number	7K17511

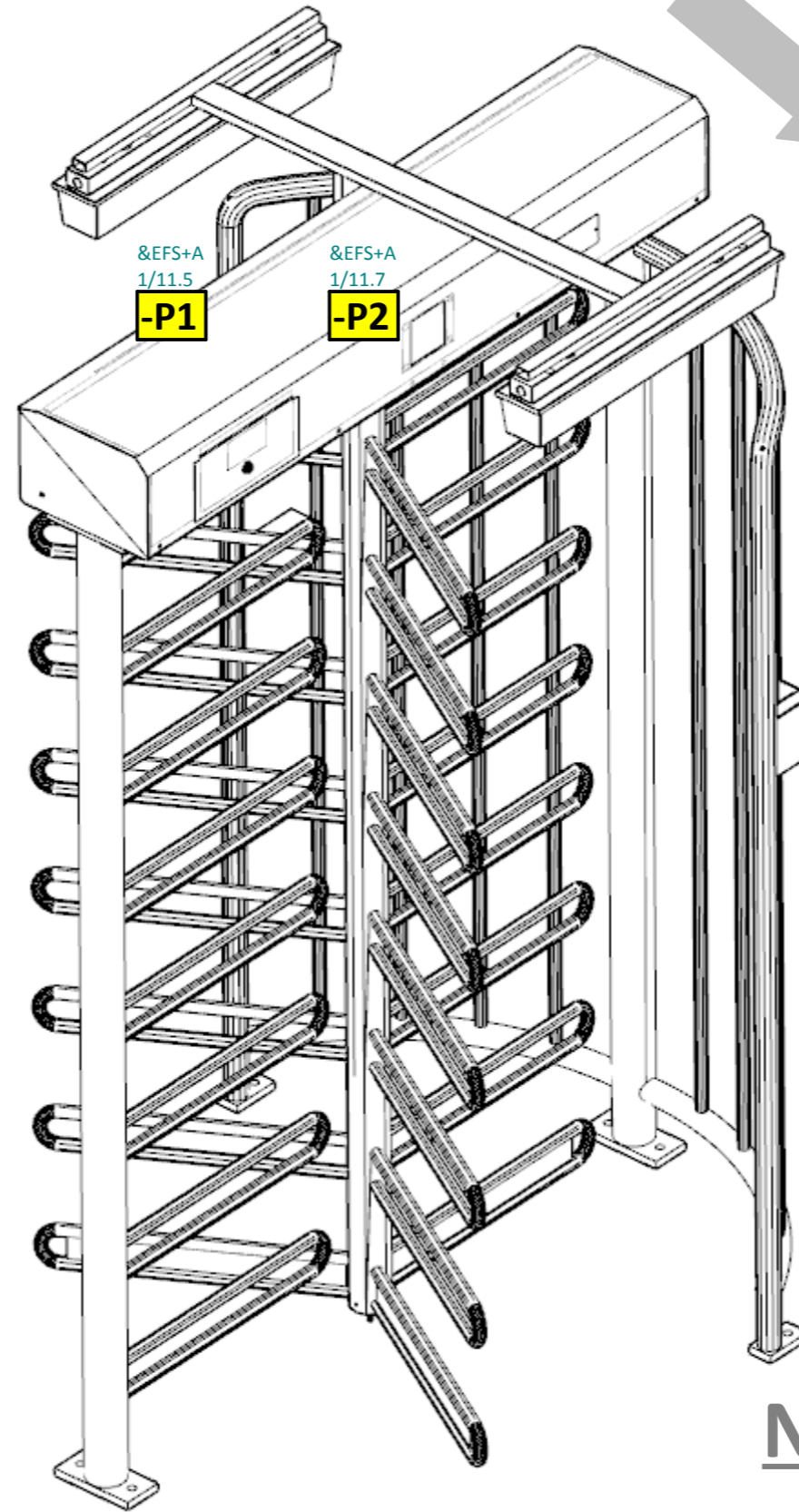
5527\_0009 MPT-333



Structure identifier

=	++	& EDB
		Structure identifier
5527_0009	+	Page 4
		from 14

# Public area (entrance)



## information:

To protect against unauthorized access, the top-cover should be removable only on the exit side.

(Non-public area)

# Non-public area (exit)

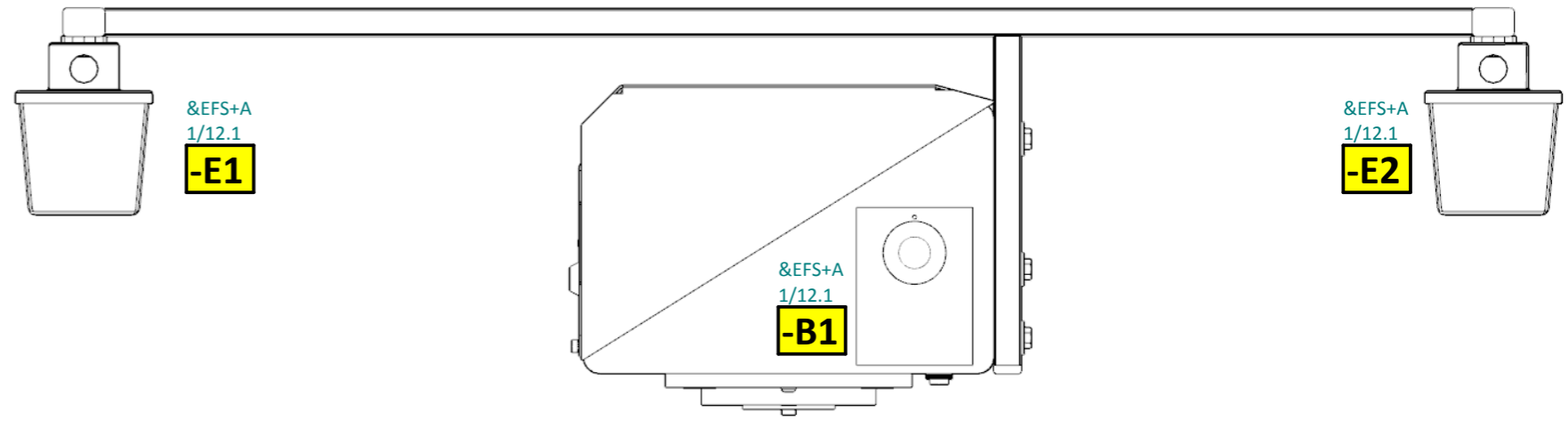
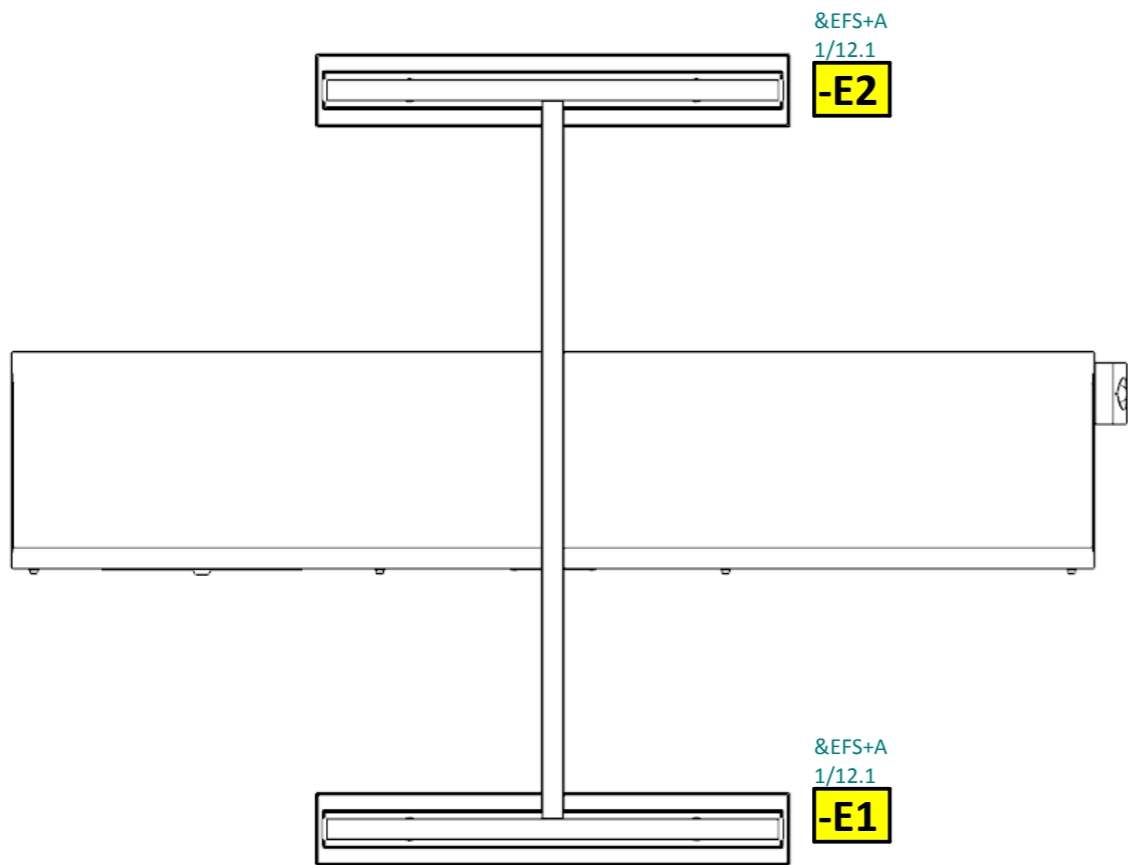
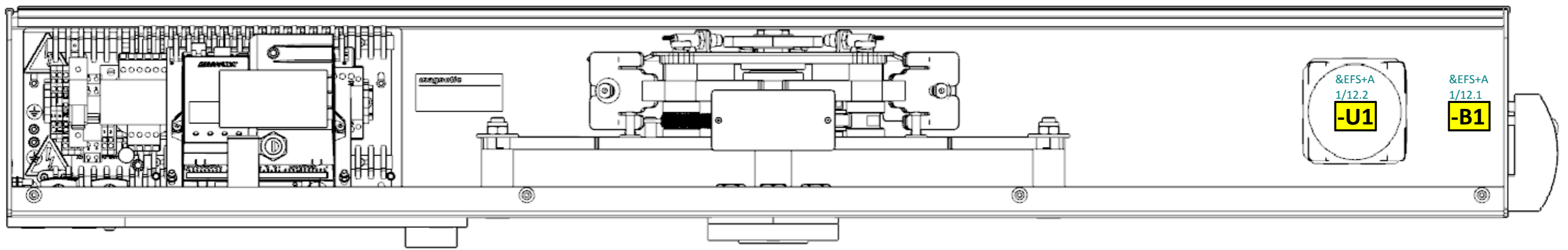
05	28.04.2021	TO	7E19623	Date of creation	16.01.2019
06	22.01.2024	TO	MEC02924	Creator	TO
07	11.03.2024	TO	MEC06624	Verifier	
Version	Date	Name	Modification project	P. Number	7K17511

5527\_0009 MPT-333



System Overview

=	++	& ETL
		Overview / Layout
5527_0009	+	Page 5
		from 14



05	28.04.2021	TO	7E19623	Date of creation	16.01.2019
06	22.01.2024	TO	MEC02924	Creator	TO
07	11.03.2024	TO	MEC06624	Verifier	
Version	Date	Name	Modification project	P. Number	7K17511

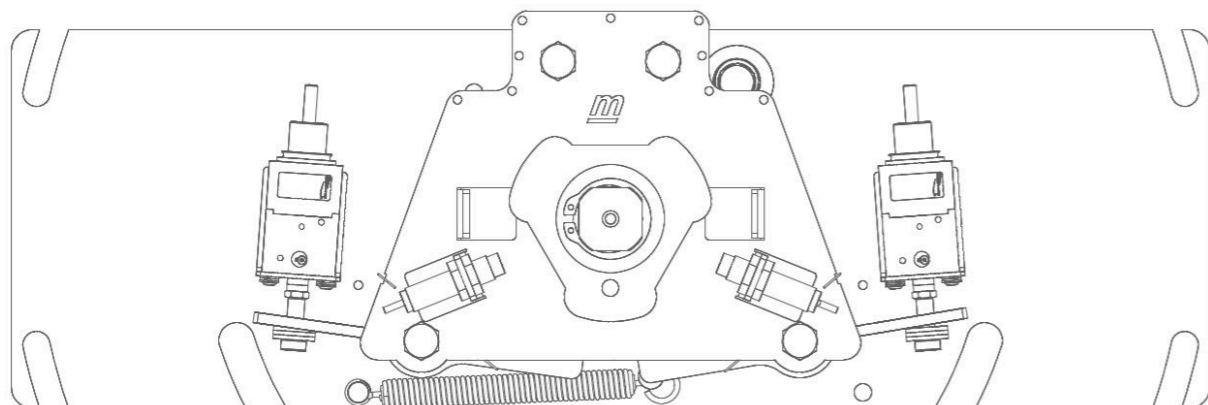
5527\_0009 MPT-333



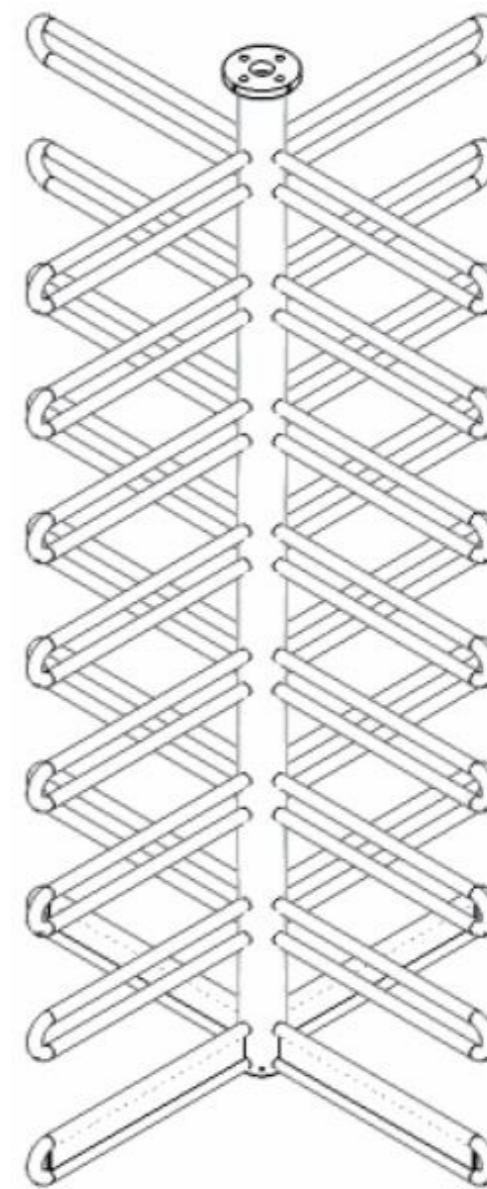
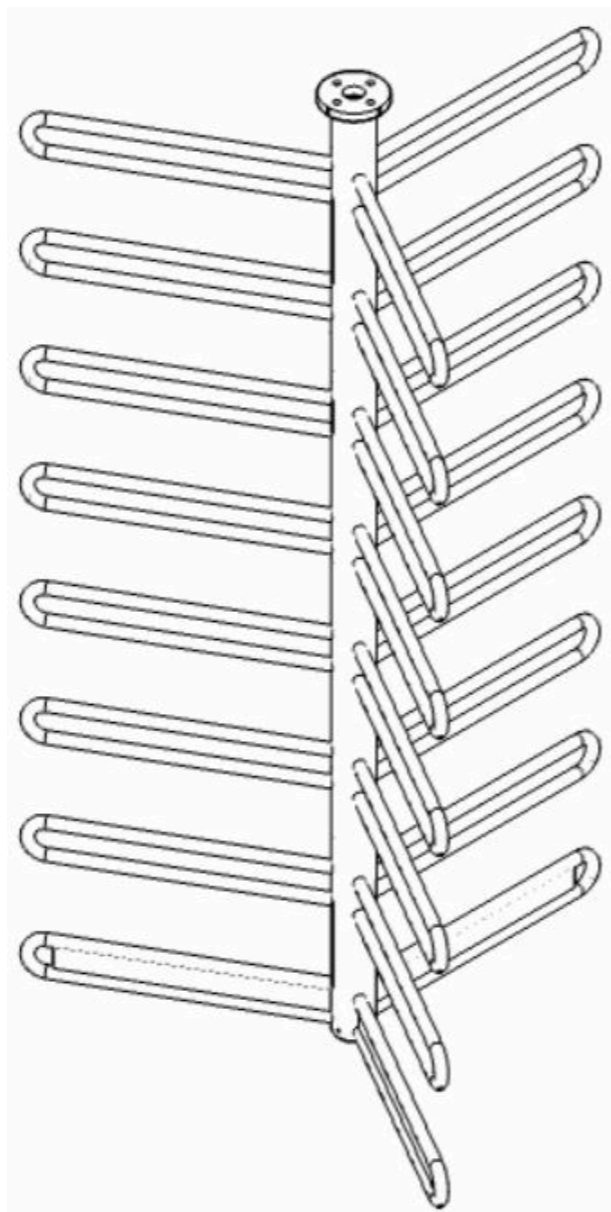
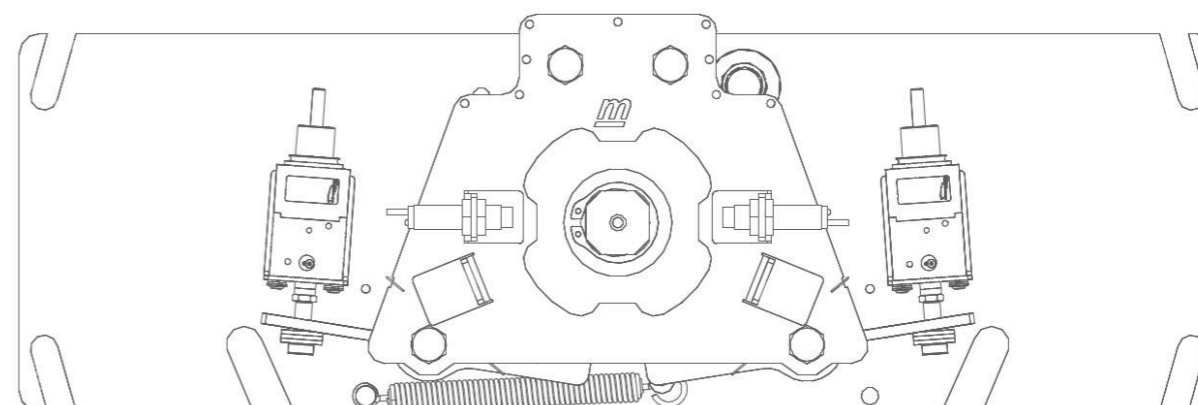
System Overview

=	++	& ETL
		Overview / Layout
5527_0009	+	Page 6
		from 14

Version Center column 3x120°



Version Center column 4x90°



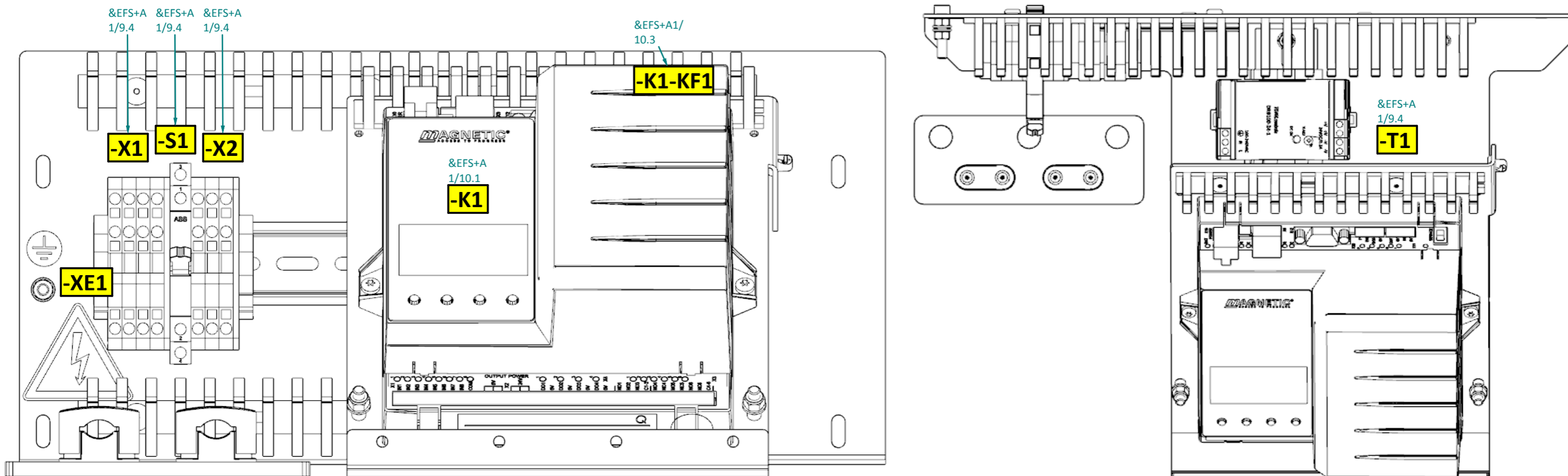
05	28.04.2021	TO	7E19623	Date of creation	16.01.2019
06	22.01.2024	TO	MEC02924	Creator	TO
07	11.03.2024	TO	MEC06624	Verifier	
Version	Date	Name	Modification project	P. Number	7K17511

5527\_0009 MPT-333

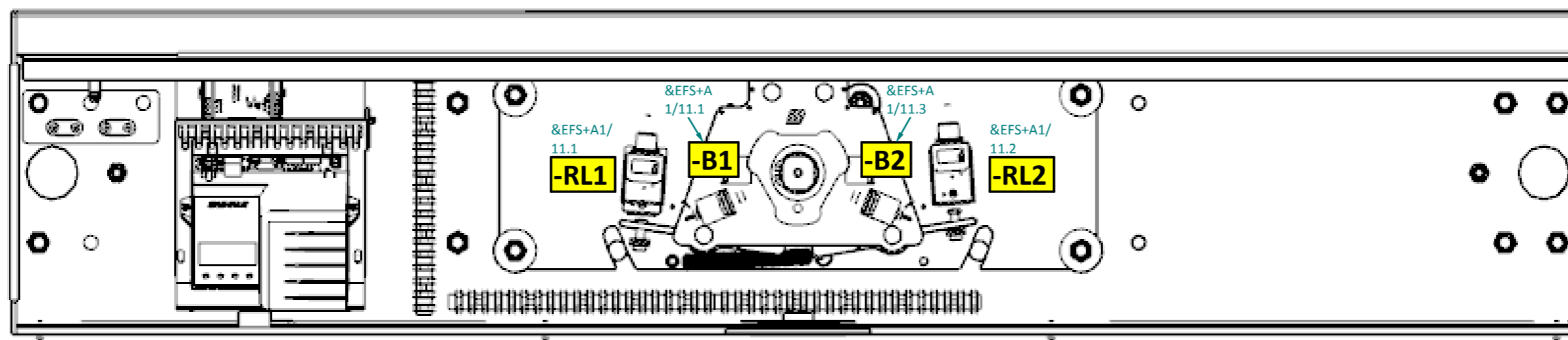


System Overview

=	++	& ETL
		Overview / Layout
5527_0009	+	Page 7
		from 14



Public area (entrance)



Non-public area (exit)

05	28.04.2021	TO	7E19623	Date of creation	16.01.2019
06	22.01.2024	TO	MEC02924	Creator	TO
07	11.03.2024	TO	MEC06624	Verifier	
Version	Date	Name	Modification project	P. Number	7K17511

5527\_0009 MPT-333

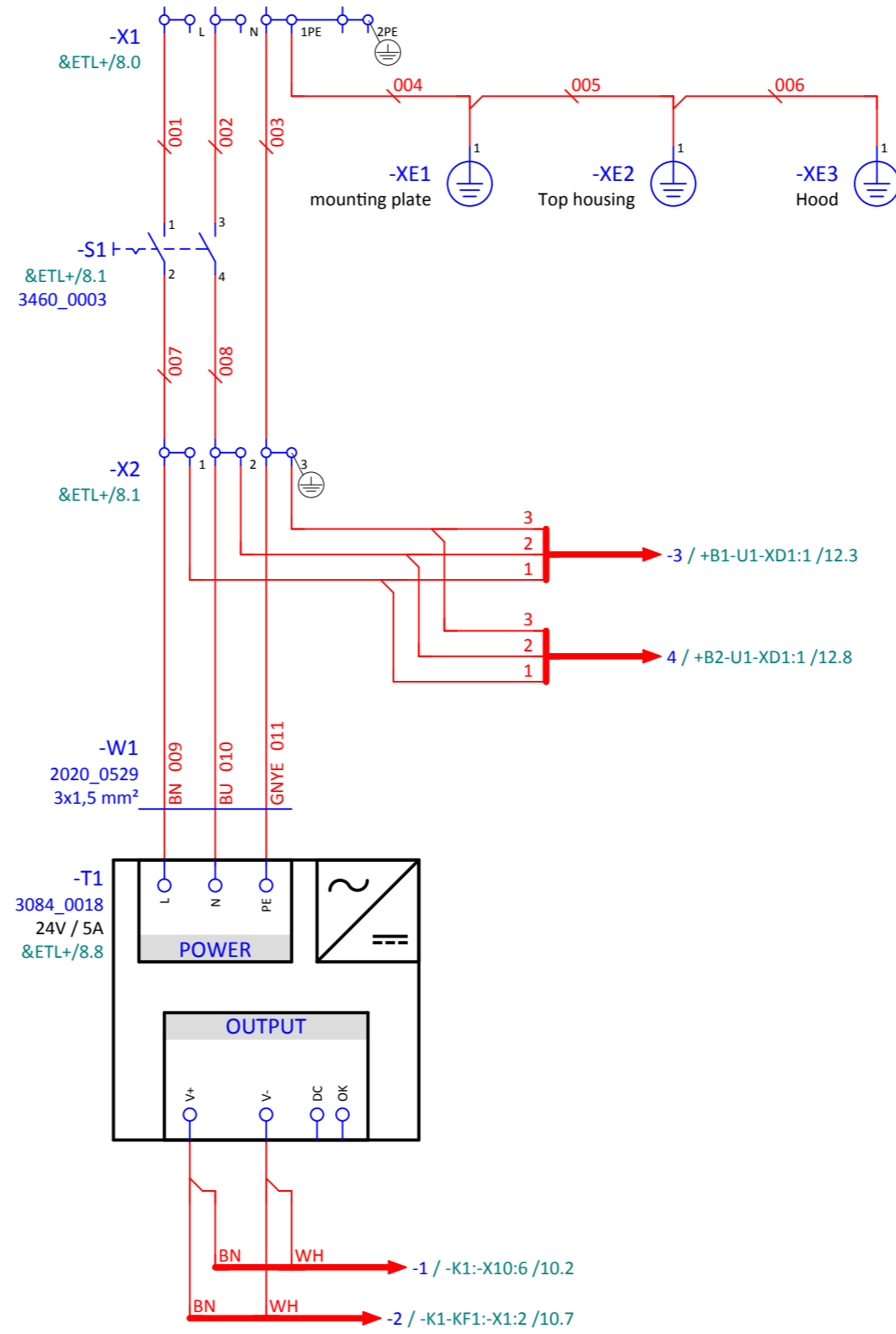


System Overview

=	++	& ETL
		Overview / Layout
5527_0009	+	Page 8
		from 14



# mains supply



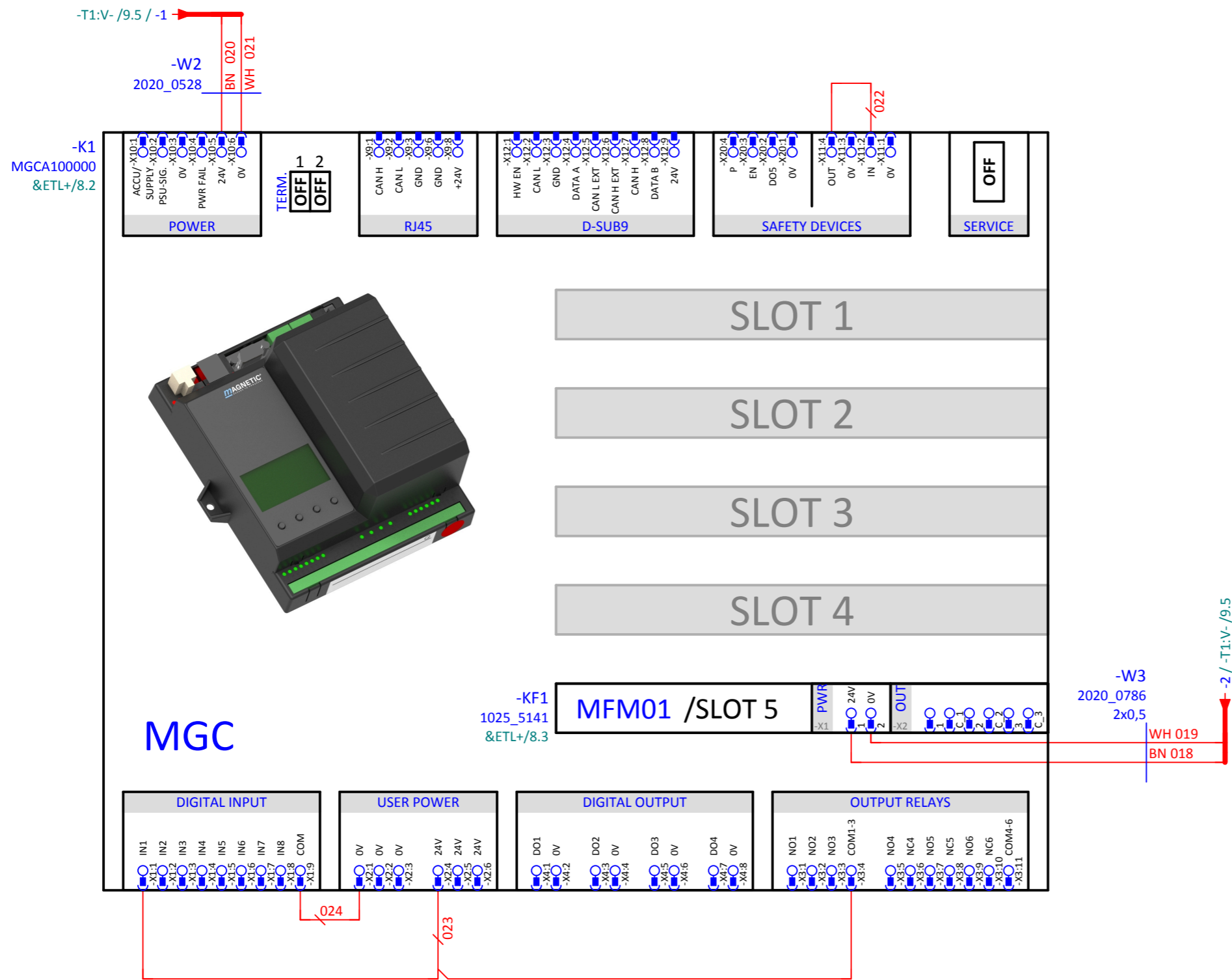
05	28.04.2021	TO	7E19623	Date of creation	16.01.2019
06	22.01.2024	TO	MEC02924	Creator	TO
07	11.03.2024	TO	MEC06624	Verifier	
Version	Date	Name	Modification project	P. Number	7K17511

5527\_0009 MPT-333



mains supply

=	++	& EFS
		Schematic
5527_0009	+ A1	Page 9
	Default	from 14



Contact assignment MGC	
Contact	Functions / assignments
IN1	Emergency open
IN2	open on the entry side
IN3	open on the output side
IN4	random function
IN5	Confirm warnings
IN6	n.c.
IN7	Limit switch left
IN8	Limit switch right
DO1	GED red (entry)
DO2	GED green (entry)
DO3	GED red (exit)
DO4	GED green (exit)
NO1	passage pulse (entry)
NO2	passage pulse (exit)
NO3	n.c.
COM 1-3	Common Contact from Customer
NO4	passage free (entry)
NC4	passage free (entry)
NO5	passage free (exit)
NC5	passage free (exit)
NO6	Random hit
NC6	Random hit
COM 4-6	Common Contact from Customer
P	n.c.
EN	n.c.
DO5	n.c.
OV	n.c.
IN	n.c.
OUT	n.c.

Product-specific basic assignment, for products with MGC-Pro control unit the functions are freely parameterizable.

SLOT 1	
Locking	
OUT 1	Locking magnet left
OUT 2	Locking magnet right
OUT 3	n.c.

023 Connection is not required when the emergency opening contact is connected

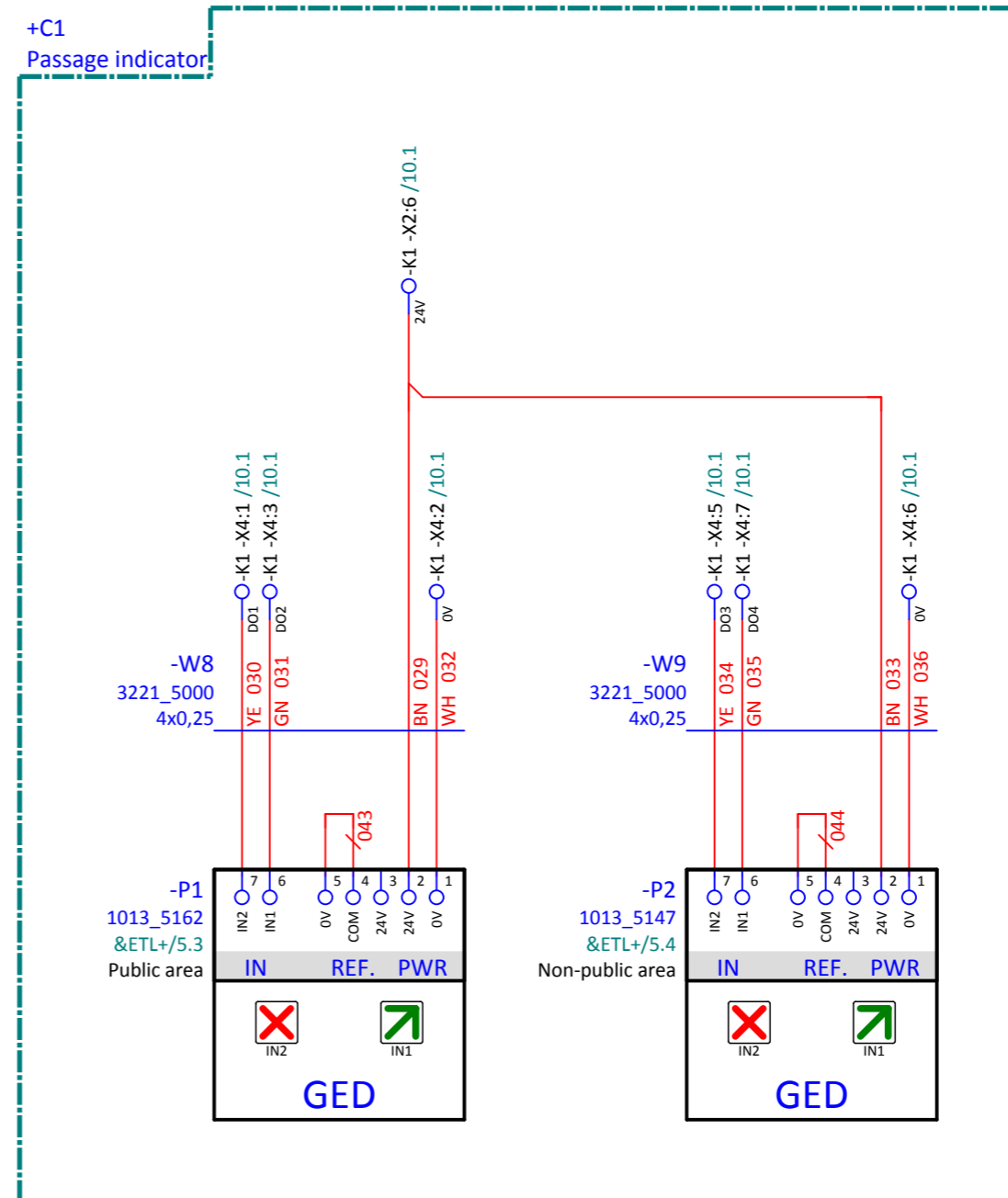
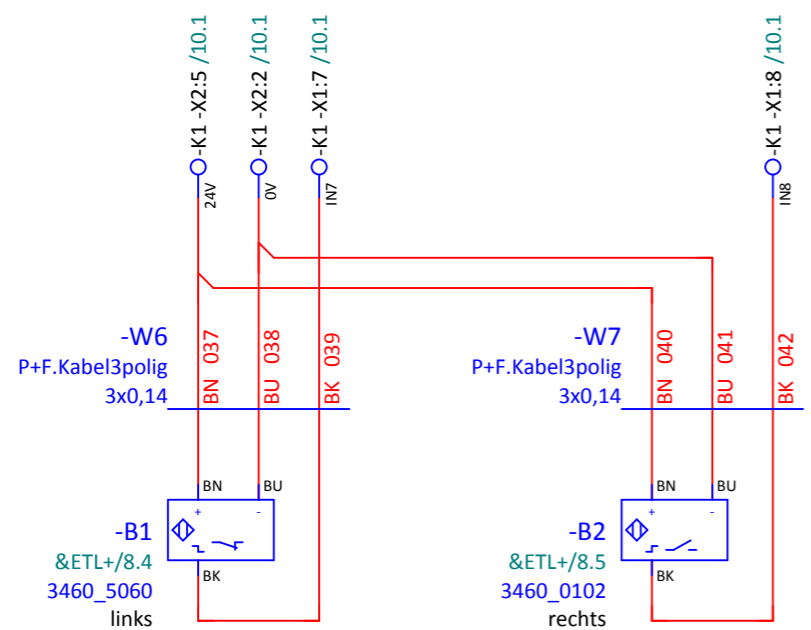
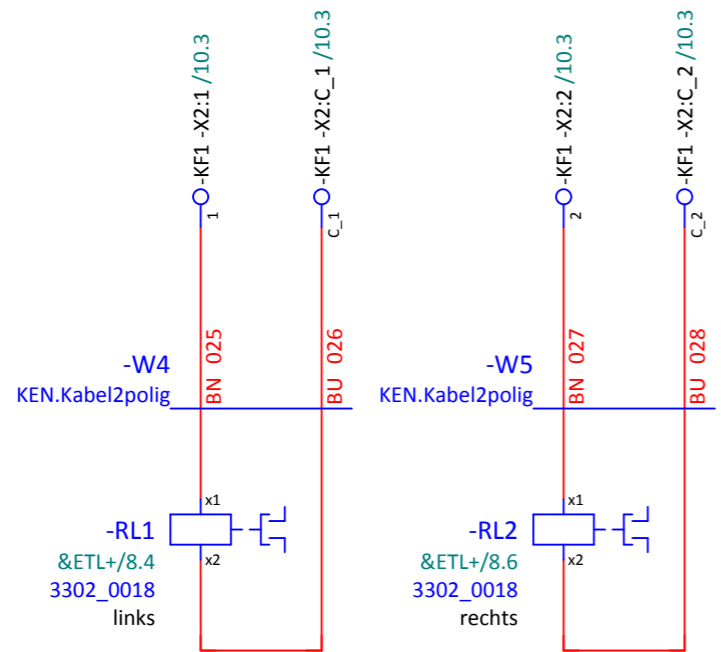
05	28.04.2021	TO	7E19623	Date of creation	16.01.2019
06	22.01.2024	TO	MEC02924	Creator	TO
07	11.03.2024	TO	MEC06624	Verifier	
Version	Date	Name	Modification project	P. Number	7K17511

5527\_0009 MPT-333



controller

=	++	& EFS
5527_0009	+ A1	Page 10
	Default	from 11



05	28.04.2021	TO	7E19623	Date of creation	16.01.2019
06	22.01.2024	TO	MEC02924	Creator	TO
07	11.03.2024	TO	MEC06624	Verifier	
Version	Date	Name	Modification project	P. Number	7K17511

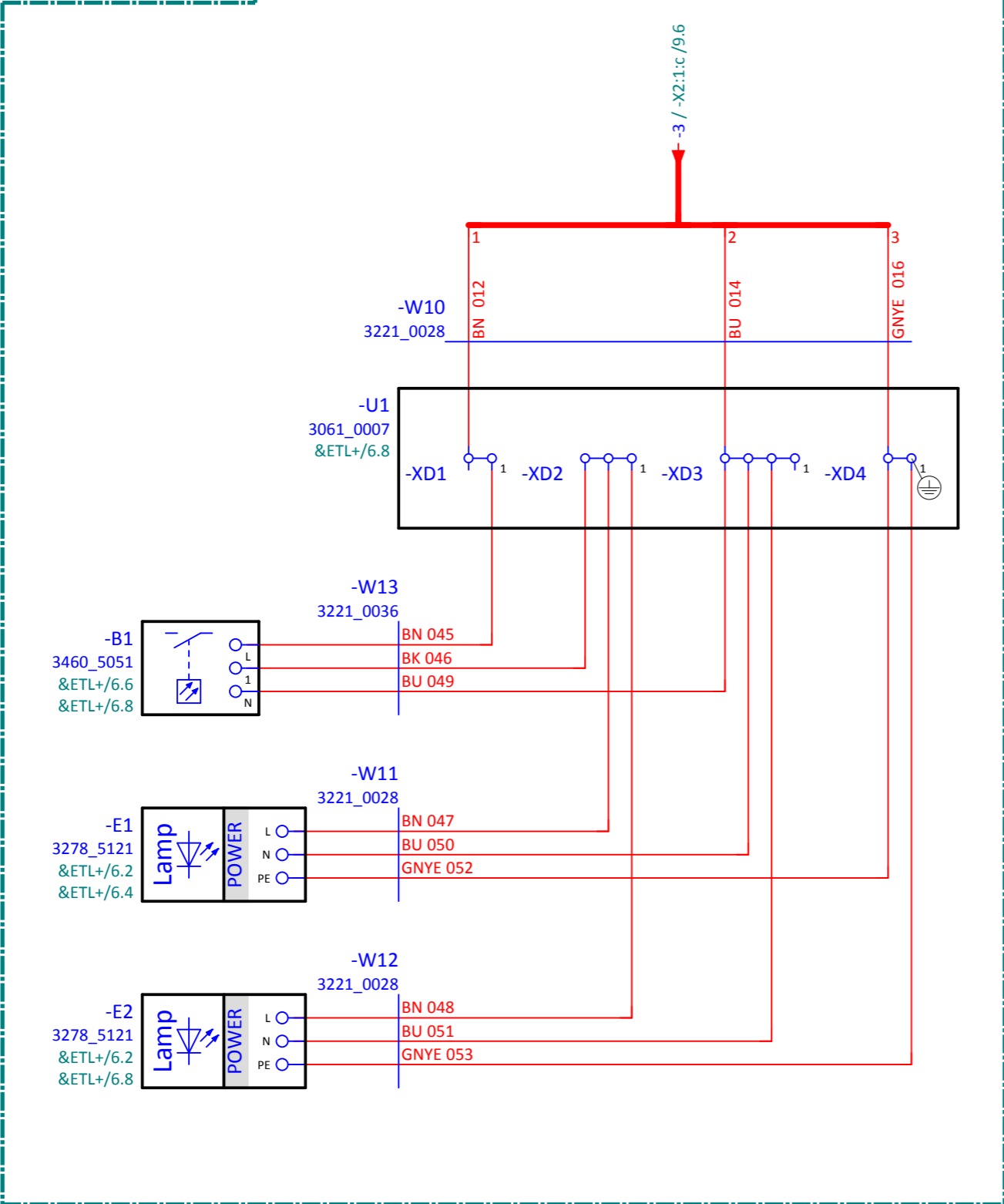
5527\_0009 MPT-333



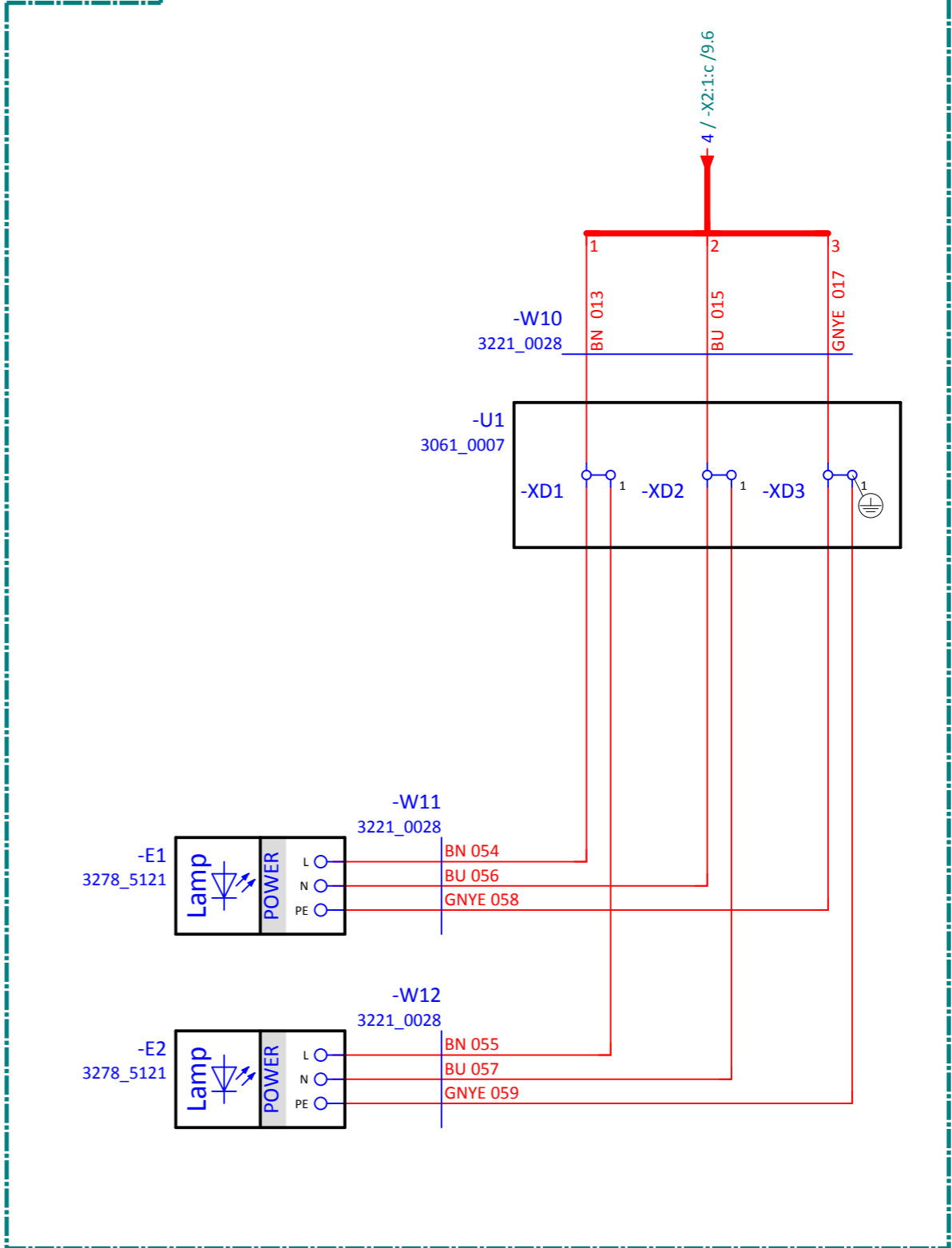
options

=	++	& EFS
		Schematic
5527_0009	+ A1	Page 11
	Default	from 14

**+B1**  
Lighting with twilight switch



**+B2**  
Permanent light



05	28.04.2021	TO	7E19623	Date of creation	16.01.2019
06	22.01.2024	TO	MEC02924	Creator	TO
07	11.03.2024	TO	MEC06624	Verifier	
Version	Date	Name	Modification project	P. Number	7K17511

5527\_0009 MPT-333



options

=	++	& EFS
		Schematic
5527_0009	+ A1	Page 12
	Default	from 11

# Summarized parts list

Part number	Quantity	Designation	Device tag
<b>+A1 / +Default</b>			
3460_5060	1	Proximity sensor, NC contact	-B1
3460_0102	1	Proximity switch (NO contact)	-B2
MGCA100000	1	MGC-A-100-0000	-K1
1025_5141	1	MOSFET Modul / MFM01	-K1-KF1
3302_0018	2	High performance single stroke solenoid with return spring	-RL1;-RL2
3460_0003	1	ABB Breaker 2-pole 400V 16A	-S1
3084_0018	1	power supply unit 24V,5A,120W	-T1
2020_0529	1	Cable 3G1,5mm <sup>2</sup>	-W1
2020_0528	1	Cable 2x0,5mm <sup>2</sup> , 400mm MGC supply	-W2
2020_0786	1	Cable 2x0,5mm <sup>2</sup> , 600mm, stripped / end sleeve	-W3
KEN.Kabel2polig	2	Cable for solenoid MPT	-W4;-W5
P+F.Kabel3polig	2	Cable for Inductive limit switches	-W6;-W7
3219_0084	2	3-conductor terminal grey	-X1;-X2
3219_0088	2	end clamp	-X1;-X2
3219_0085	2	3-conductor terminal blue	-X1;-X2
3219_0083	3	3-wire grounded conductor terminal	-X1;-X2
3219_0086	2	End plate 3-pole; orange	-X1;-X2

<b>+B1 / +Lighting with twilight switch</b>			
3460_5051	1	Twilight switch LUNA 128 star	-B1
3278_5121	2	LED moisture-proof light	-E1;-E2
3061_0007	1	Junction box 104x104x70 IP66	-U1
3219_5038	3	connection terminal 3 wire technology	-U1-XD1;-U1-XD2;-U1-XD4
3219_5036	1	connection terminal 5 wire technology	-U1-XD3
3221_0028	3	PVC control cable JB-500 3G1 mm <sup>2</sup> GR	-W10...-W12
3221_0036	1	PVC control cable JB-500 5G0.75 mm <sup>2</sup> GR	-W13

05	28.04.2021	TO	7E19623	Date of creation	16.01.2019
06	22.01.2024	TO	MEC02924	Creator	TO
07	11.03.2024	TO	MEC06624	Verifier	
Version	Date	Name	Modification project	P. Number	7K17511

5527\_0009 MPT-333



parts list

=	++	& EPA
		Parts list
5527_0009	+	Page 13
		from 14

## Summarized parts list

Part number	Quantity	Designation	Device tag
<b>+B2 / +Permanent light</b>			
3278_5121	2	LED moisture-proof light	-E1;-E2
3061_0007	1	Junction box 104x104x70 IP66	-U1
3219_5038	3	connection terminal 3 wire technology	-U1-XD1...-U1-XD3
3221_0028	3	PVC control cable JB-500 3G1 mm <sup>2</sup> GR	-W10...-W12

<b>+C1 / +Passage indicator</b>			
1013_5162	1	GED top-cover MPT	-P1
1013_5147	1	GED Top housing MPT	-P2
3221_5000	2	Data- and computer cables TRONIC 4x0,25 mm <sup>2</sup> GY	-W8;-W9

05	28.04.2021	TO	7E19623	Date of creation	16.01.2019
06	22.01.2024	TO	MEC02924	Creator	TO
07	11.03.2024	TO	MEC06624	Verifier	
Version	Date	Name	Modification project	P. Number	7K17511

5527\_0009 MPT-333



parts list

=	++	& EPA
		Parts list
5527_0009	+	Page 14
		from 14